

4

3

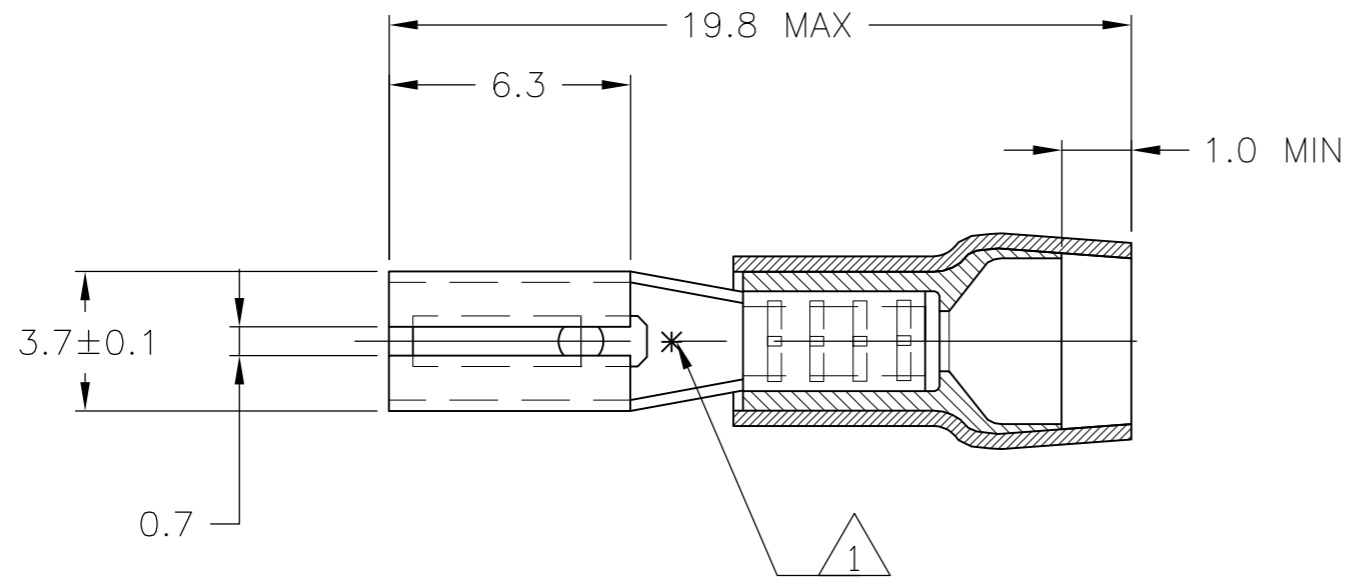
2

1

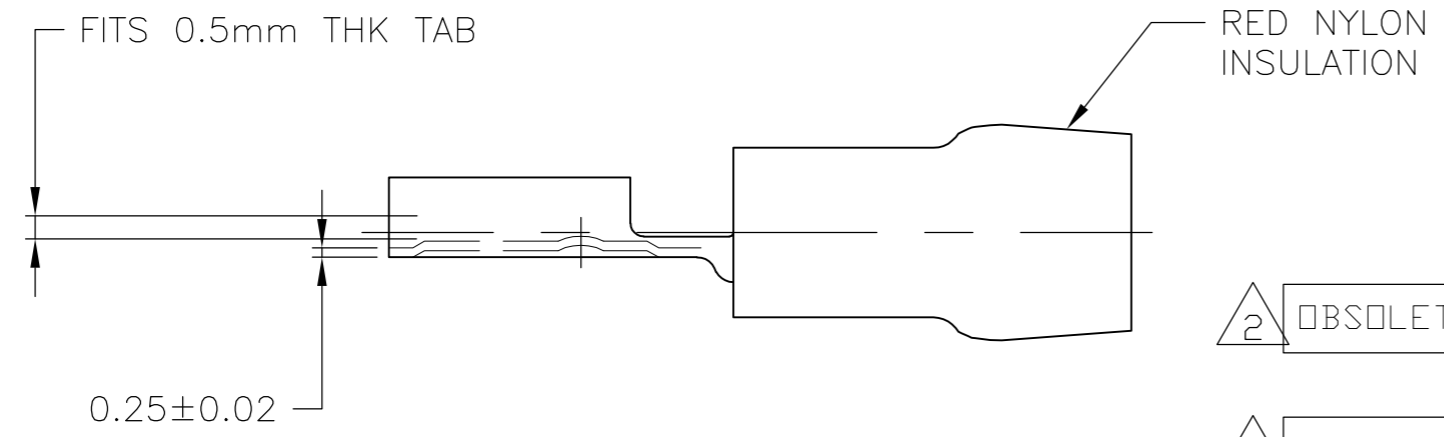
THIS DRAWING IS UNPUBLISHED. RELEASED FOR PUBLICATION
 © COPYRIGHT - BY TYCO ELECTRONICS CORPORATION. ALL RIGHTS RESERVED.

LOC	DIST	REVISIONS					
G	02	P	LTR	DESCRIPTION	DATE	DWN	APVD
		M1		REV PER ECR 07-017037	20JUL07	JR	TM

AMP WIRE RANGE	AMP INSULATION RANGE
22-16 AWG 0.3-1.5 mm ²	.140 MAX DIA 3.5 MAX DIA



- △1 ASTERISK * FOR PHOS BRONZE VERSION ONLY
- △2 OBSOLETE W/O REPLACEMENT



△2 OBSOLETE	GOLD	PHOS BRONZE	165565-6	
△2 OBSOLETE	GOLD	BRASS	165565-5	
△2 OBSOLETE	SILVER	PHOS BRONZE	165565-4	
△2 OBSOLETE	SILVER	BRASS	165565-3	
	2-165565-2	TIN	PHOS BRONZE	165565-2
	2-165565-1	TIN	BRASS	165565-1
	PN ON TAPE	FINISH	MATERIAL	PART NUMBER

THIS DRAWING IS A CONTROLLED DOCUMENT.		DWN jr_ruth 15APR05	Tyco Electronics Corporation Harrisburg, Pa 17105-3608	
DIMENSIONS: mm		CHK T MICHIELUTTI 15APR05	NAME RECEPTACLE, FASTON, PIDG, .110 SERIES	
TOLERANCES UNLESS OTHERWISE SPECIFIED:		APVD T MICHIELUTTI 15APR05	PRODUCT SPEC -	
0 PLC ± -		APPLICATION SPEC -		
1 PLC ± 0.2		SIZE A3		
2 PLC ± -		CAGE CODE 00779		
3 PLC ± -		DRAWING NO C-165565		
4 PLC ± -		RESTRICTED TO -		
ANGLES ± 5'		SCALE 5:1		
MATERIAL -		SHEET 1 OF 1		
FINISH -		REV M1		
CUSTOMER DRAWING				